

The Renewable Solutions Provider
Making a World of Difference



The Mr Slim **Inverter** Cassette Range



Air Conditioning | Heating
Ventilation | Controls

Mr.SLIM™



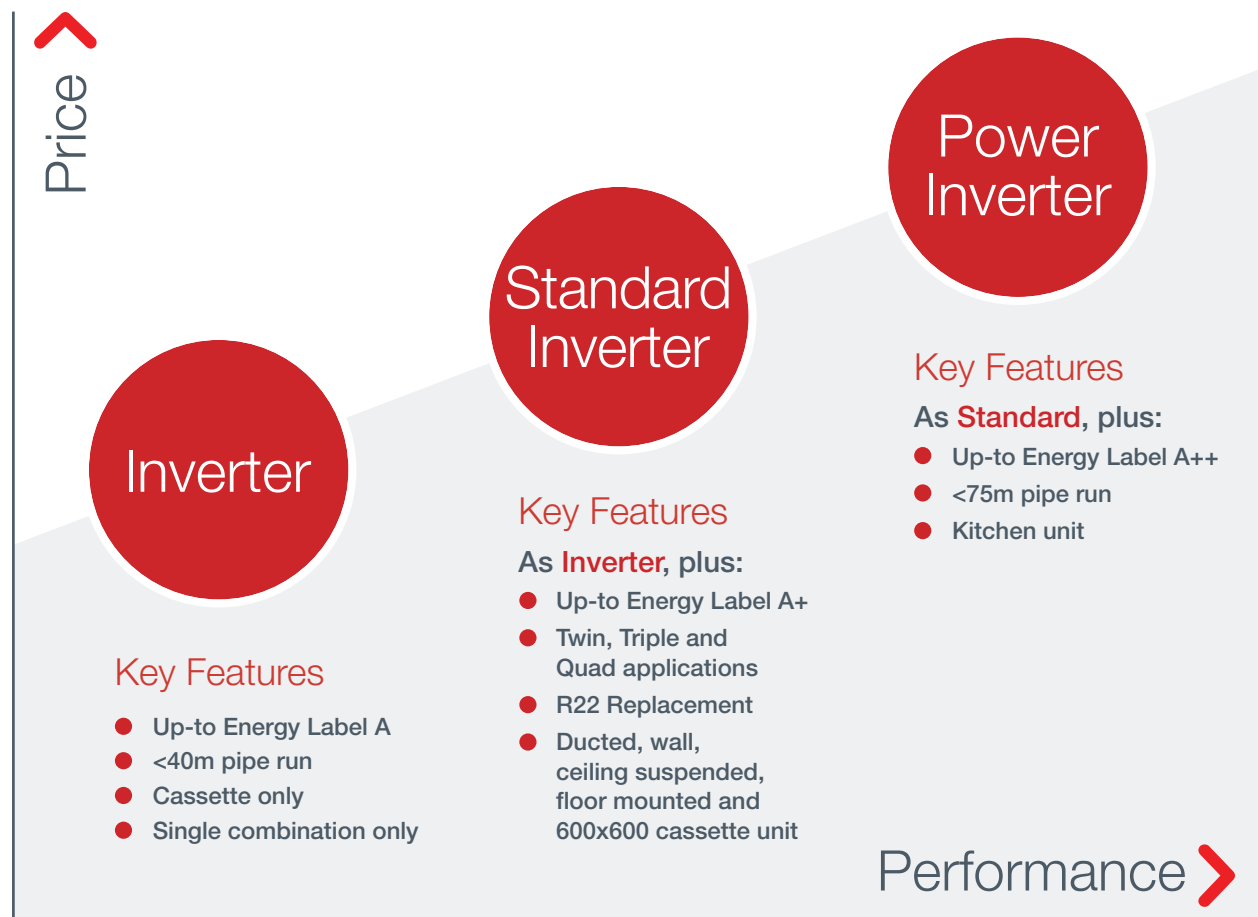


Mr Slim Inverter Cassette Range



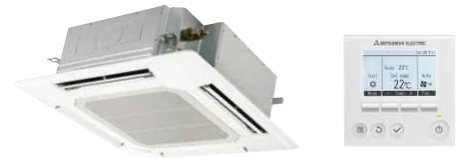
Ideal for use in small offices,
retail and leisure

The Mr Slim Inverter Cassette Range offers customers all the features and benefits of inverter technology whilst being extremely cost effective.



Product Specifications

Indoor Units



PLA-SP INDOOR UNITS		PLA-SP71BA	PLA-SP100BA	PLA-SP125BA	PLA-SP140BA
CAPACITY (kW)	Heating (nominal)	8.0 (2.6-8.9)	11.2 (4.5-11.5)	13.5 (5.0-15.0)	15.5 (6.0-17.0)
	Cooling (nominal)	7.1 (2.8-8.1)	9.4 (4.9-9.9)	12.3 (5.5-13.0)	13.0 (5.5-14.0)
	Heating (UK)	6.8 (2.2-7.6)	9.5 (3.8-9.8)	11.5 (4.3-12.8)	13.2 (4.3-14.5)
	Cooling (UK)	6.0 (2.4-6.9)	8.0 (4.2-8.4)	10.5 (4.7-11.1)	11.1 (4.7-11.9)
SHF (nominal & UK)		0.73	0.74	0.71	0.71
COP / EER (nominal)		3.21 / 3.21	3.21 / 3.01	3.41 / 3.01	3.21 / 2.61
SCOP / SEER (BS EN14825)		3.8 / 5.6	3.8 / 5.1	N/A	N/A
ErP ENERGY EFFICIENCY CLASS	Heating/Cooling	A / A+	A / A	N/A	N/A
AIRFLOW (m³/min)	Lo-Mi1-Mi2-Hi	14-16-18-21	20-23-26-30	22-25-28-31	24-26-29-32
PIPE SIZE mm (in)	Gas/Liquid	15.88 (5/8") / 9.52 (3/8")	15.88 (5/8") / 9.52 (3/8")	15.88 (5/8") / 9.52 (3/8")	15.88 (5/8") / 9.52 (3/8")
SOUND PRESSURE LEVEL (dBA)	Lo-Mi1-Mi2-Hi	28-30-32-34	32-34-37-40	34-36-39-41	36-39-42-44
SOUND POWER LEVEL (dBA)		56	62	63	70
DIMENSIONS (mm) Width x Depth x Height (Grille)		840 (950) x 840 (950) x 258 (35)	840 (950) x 840 (950) x 298 (35)	840 (950) x 840 (950) x 298 (35)	840 (950) x 840 (950) x 298 (35)
WEIGHT (kg) Unit / Panel		23 / 6	25 / 6	25 / 6	27 / 6
ELECTRICAL SUPPLY		Fed by Outdoor Unit	Fed by Outdoor Unit	Fed by Outdoor Unit	Fed by Outdoor Unit
FUSE RATING (BS88) - HRC (A)		6	6	6	6
INTERCONNECTING CABLE No. Cores		4	4	4	4
GRILLE REFERENCE		PLP-6BA	PLP-6BA	PLP-6BA	PLP-6BA
WIRED REMOTE CONTROLLER REFERENCE		PAR-31MAA	PAR-31MAA	PAR-31MAA	PAR-31MAA

Outdoor Units (Single Phase)



SUZ-SA / PUHZ-SP OUTDOOR UNITS		SUZ-SA71VA	PUHZ-SP100VHA	PUHZ-SP125VHA	PUHZ-SP140VHA
SOUND PRESSURE LEVEL (dBA)	Heating/Cooling	55 / 55	54 / 50	55 / 51	56 / 52
SOUND POWER LEVEL (dBA)	Cooling	69	70	71	73
WEIGHT (kg)		53	75	99	99
DIMENSIONS (mm) Width x Depth x Height		840 x 330 x 880	950 x 330 + 30 x 943	950 x 330 + 30 x 1350	950 x 330 + 30 x 1350
ELECTRICAL SUPPLY		220-240v, 50Hz	220-240v, 50Hz	220-240v, 50Hz	220-240v, 50Hz
PHASE		Single	Single	Single	Single
SYSTEM POWER INPUT (kW)	Heating/Cooling (nominal)	2.25 / 2.10	3.28 / 3.12	4.11 / 4.09	4.98 / 5.21
	Heating/Cooling (UK)	2.00 / 1.79	2.92 / 2.65	3.66 / 3.48	4.43 / 4.43
STARTING CURRENT (A)		9.7	12.0	15.0	15.0
SYSTEM RUNNING CURRENT (A) Heating/Cooling [MAX]		9.38 / 9.36 [16.6]	15.89 / 14.3 [28.9]	17.89 / 18.48 [29.0]	21.81 / 22.72 [30.5]
FUSE RATING (BS88) - HRC (A)		20	32	32	40
MAINS CABLE No. Cores		3	3	3	3
MAX PIPE LENGTH (m)		30	30	40	40
MAX HEIGHT DIFFERENCE (m)		30	30	30	30
CHARGE R410A (kg)		1.9	3.0	4.5	4.5

Notes: All units charged to 7m (71), 30m (100-140) pipe length. Indoor price includes separate PLP-6BA grille and PAR-31MAA wired remote controller.

Product Specifications

Indoor Units



PLA-SP INDOOR UNITS		PLA-SP100BA	PLA-SP125BA	PLA-SP140BA
CAPACITY (kW)	Heating (nominal)	11.2 (4.5-11.5)	13.5 (5.0-15.0)	15.5 (5.0-17.0)
	Cooling (nominal)	9.4 (4.9-9.9)	12.3 (5.5-13.0)	13.0 (5.5-14.0)
	Heating (UK)	9.5 (3.8-9.8)	11.5 (4.3-12.8)	13.2 (4.3-14.5)
	Cooling (UK)	8.0 (4.2-8.4)	10.5 (4.7-11.1)	11.1 (4.7-11.9)
SHF (nominal & UK)		0.74	0.71	0.71
COP / EER (nominal)		3.21 / 3.01	3.41 / 3.01	3.21 / 2.61
SCOP / SEER (BS EN14825)		3.8 / 5.1	N/A	N/A
ErP ENERGY EFFICIENCY CLASS	Heating/Cooling	A / A	N/A	N/A
AIRFLOW (m ³ /min)	Lo-Mi1-Mi2-Hi	20-23-26-30	22-25-28-31	24-26-29-32
PIPE SIZE mm (in)	Gas/Liquid	15.88 (5/8") / 9.52 (3/8")	15.88 (5/8") / 9.52 (3/8")	15.88 (5/8") / 9.52 (3/8")
SOUND PRESSURE LEVEL (dBA)	Lo-Mi1-Mi2-Hi	32-34-37-40	34-36-39-41	36-39-42-44
SOUND POWER LEVEL (dBA)		62	63	70
DIMENSIONS (mm) Width x Depth x Height (Grille)		840 (950) x 840 (950) x 298 (35)	840 (950) x 840 (950) x 298 (35)	840 (950) x 840 (950) x 298 (35)
WEIGHT (kg) Unit / Panel		25 / 6	25 / 6	27 / 6
ELECTRICAL SUPPLY		Fed by Outdoor Unit	Fed by Outdoor Unit	Fed by Outdoor Unit
FUSE RATING (BS88) - HRC (A)		6	6	6
INTERCONNECTING CABLE No. Cores		4	4	4
GRILLE REFERENCE		PLP-6BA	PLP-6BA	PLP-6BA
WIRED REMOTE CONTROLLER REFERENCE		PAR-31MAA	PAR-31MAA	PAR-31MAA

Outdoor Units (Three Phase)



PUHZ-SP OUTDOOR UNITS		PUHZ-SP100YHA	PUHZ-SP125YHA	PUHZ-SP140YHA
SOUND PRESSURE LEVEL (dBA)	Heating/Cooling	54 / 50	55 / 51	56 / 52
SOUND POWER LEVEL (dBA)	Cooling	70	71	73
WEIGHT (kg)		77	101	101
DIMENSIONS (mm) Width x Depth x Height		950 x 330 + 30 x 943	950 x 330 + 30 x 1350	950 x 330 + 30 x 1350
ELECTRICAL SUPPLY		380-415v, 50Hz	380-415v, 50Hz	380-415v, 50Hz
PHASE		Three	Three	Three
SYSTEM POWER INPUT (kW)	Heating/Cooling (nominal)	3.28 / 3.12	4.11 / 4.09	4.98 / 5.21
	Heating/Cooling (UK)	2.92 / 2.65	3.66 / 3.48	4.43 / 4.43
STARTING CURRENT (A)		4.0	5.0	5.0
SYSTEM RUNNING CURRENT (A) Heating/Cooling [MAX]		6.24 / 5.72 [13.9]	6.93 / 7.18 [14.0]	8.36 / 8.65 [14.0]
FUSE RATING (BS88) - HRC (A)		16	16	16
MAINS CABLE No. Cores		5	5	5
MAX PIPE LENGTH (m)		30	30	30
MAX HEIGHT DIFFERENCE (m)		30	40	40
CHARGE R410A (kg)		3.0	4.5	4.5

Notes: All units charged to 7m (71), 30m (100-140) pipe length. Indoor price includes separate PLP-6BA grille and PAR-31MAA wired remote controller.



Product Features

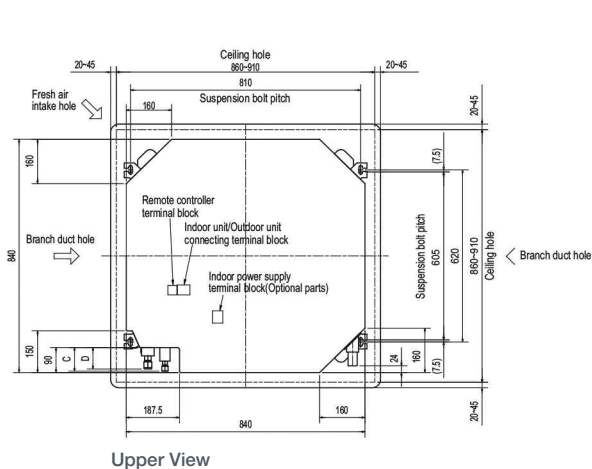
- Swing Vane Mode with Auto Vane Shutter
- Auto-Restart
- Quiet operation
- 72 different airflow patterns - 2, 3 or 4 way discharge
- High ceiling compatibility through wide flow air outlets
- Auto-Changeover
- Hot Start - draught prevention
- Drain lift pump as standard
- Ceiling soiling prevention
- Manufactured in the UK*



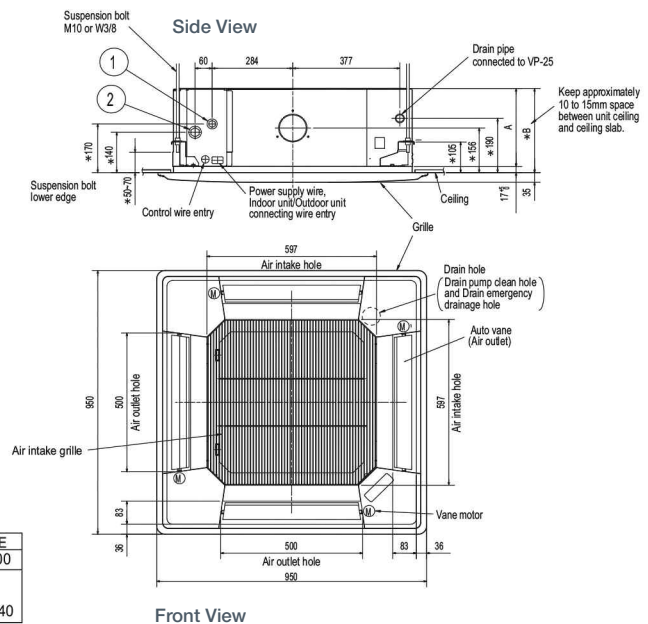
*Except SUZ-SA71VA

Product Drawings

PLA-SP - Indoor Unit Dimensions

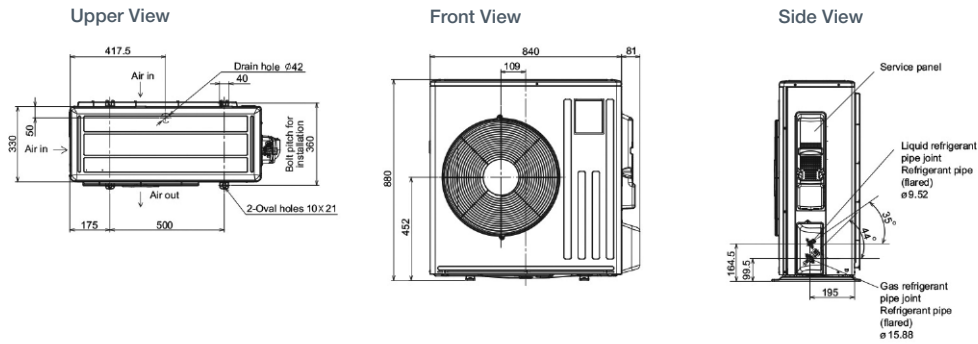


Model	①	②	A	B	C	D	E
PLA-SP71BA	Refrigerant pipe ...φ9.52	Refrigerant pipe ...φ15.88	241	258			400
PLA-SP100BA	Flared connection ...3/8 inch	Flared connection ...5/8 inch	281	298	85	77	440

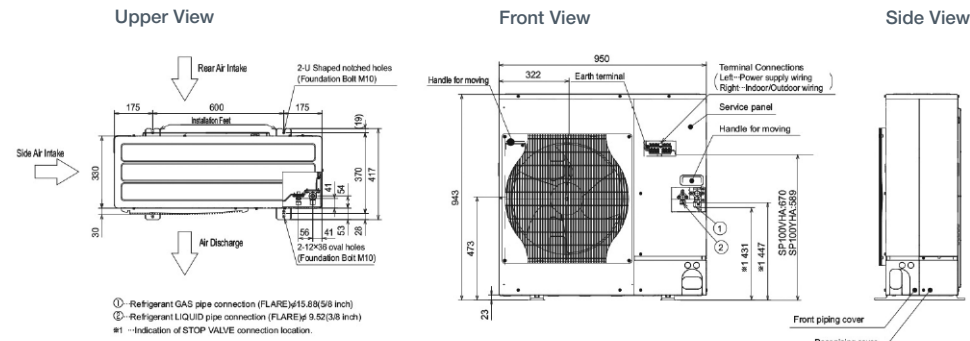


Product Drawings

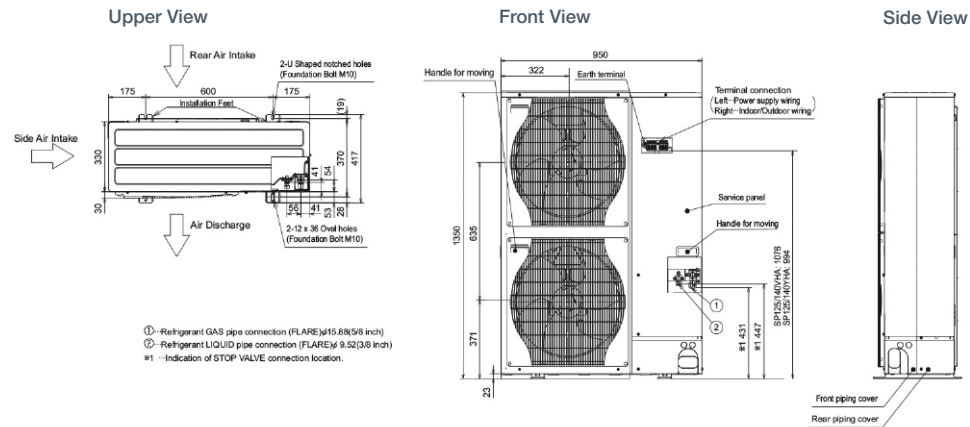
SUZ-SA71VA - Outdoor Unit Dimensions



PUHZ-SP100VHA, PUHZ-SP100YHA - Outdoor Unit Dimensions



PUHZ-SP125/140VHA, PUHZ-SP125/140YHA - Outdoor Unit Dimensions



Telephone: 01707 282880

email: air.conditioning@meuk.mee.com web: airconditioning.mitsubishielectric.co.uk

UNITED KINGDOM Mitsubishi Electric Europe Living Environmental Systems Division
 Travellers Lane, Hatfield, Hertfordshire, AL10 8XB, England General Enquiries Telephone: 01707 282880 Fax: 01707 278881

IRELAND Mitsubishi Electric Europe Westgate Business Park, Ballymount, Dublin 24, Ireland
 Telephone: Dublin (01) 419 8800 Fax: Dublin (01) 419 8890 International code: (003531)

Country of origin: United Kingdom - Japan - Thailand - Malaysia. ©Mitsubishi Electric Europe 2014. Mitsubishi and Mitsubishi Electric are trademarks of Mitsubishi Electric Europe B.V. The company reserves the right to make any variation in technical specification to the equipment described, or to withdraw or replace products without prior notification or public announcement. Mitsubishi Electric is constantly developing and improving its products. All descriptions, illustrations, drawings and specifications in this publication present only general particulars and shall not form part of any contract. All goods are supplied subject to the Company's General Conditions of Sale, a copy of which is available on request. Third-party product and brand names may be trademarks or registered trademarks of their respective owners.



Printed in July 2014 SAP No. 278533



www.greengateway.mitsubishielectric.co.uk

Mitsubishi Electric UK's commitment to the environment



Follow us @meuk_les
 Follow us @green_gateway



Connect with Green Gateway



mitsubishielectric2